

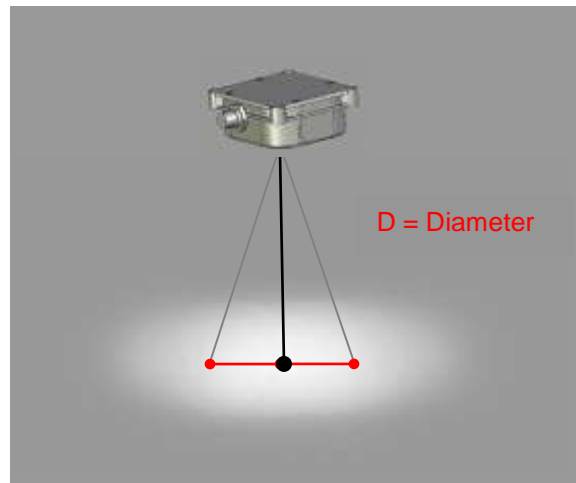
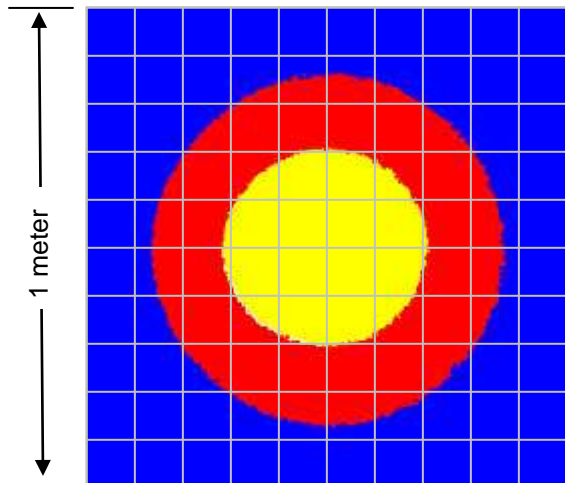
Optical Performance


Brightness distribution is measured using a CCD camera system. Three levels are expressed by areas and colors. The highest brightness is 100% and the other areas are assigned a percentage according to their measured value. Data is collected from testing red and white LED lights. An output difference between lights is normal and is the result of LED tolerances from the manufacturer.

SC75 with Wide Lenses

Working Distance mm (inches)	Pattern (80%-100% measured intensity) mm (Inches)
.5m (19.7")	210mm (~8 ") D
1m (39.4")	425mm (~17") D
1.5m (59")	650mm (~26") D
2m (78.8")	875mm (~35") D

Typical output performance	Illumination (Lux)
Distance = 1 meter	1,560
<i>Illumination measurement taken on White Lights – 6500K</i>	

Brightness Distribution
Measured at 1m

Brightness Level
