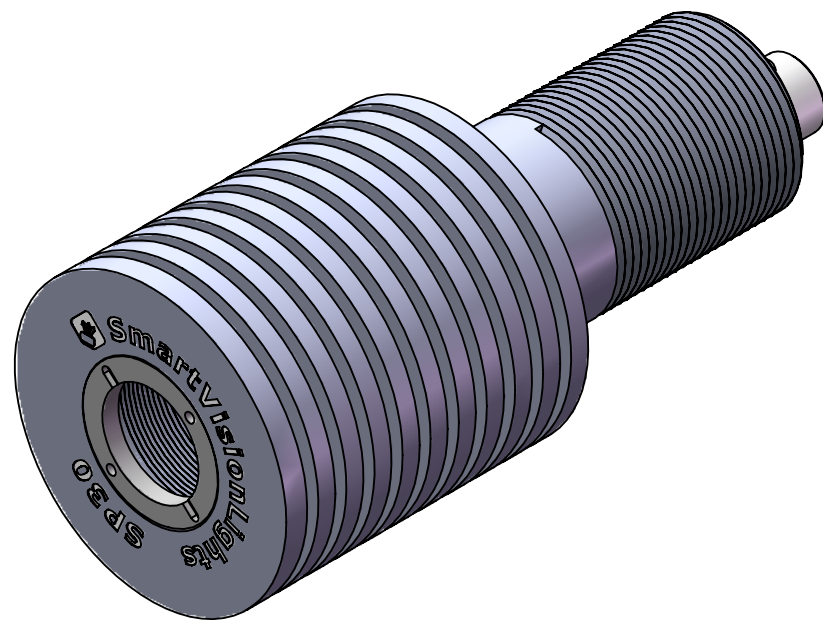
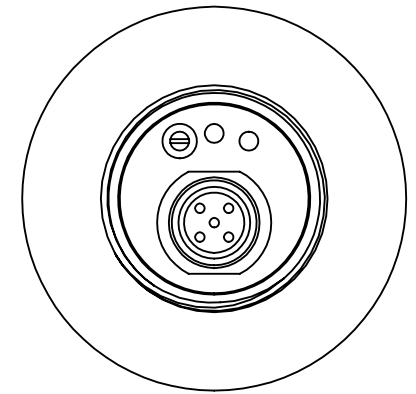
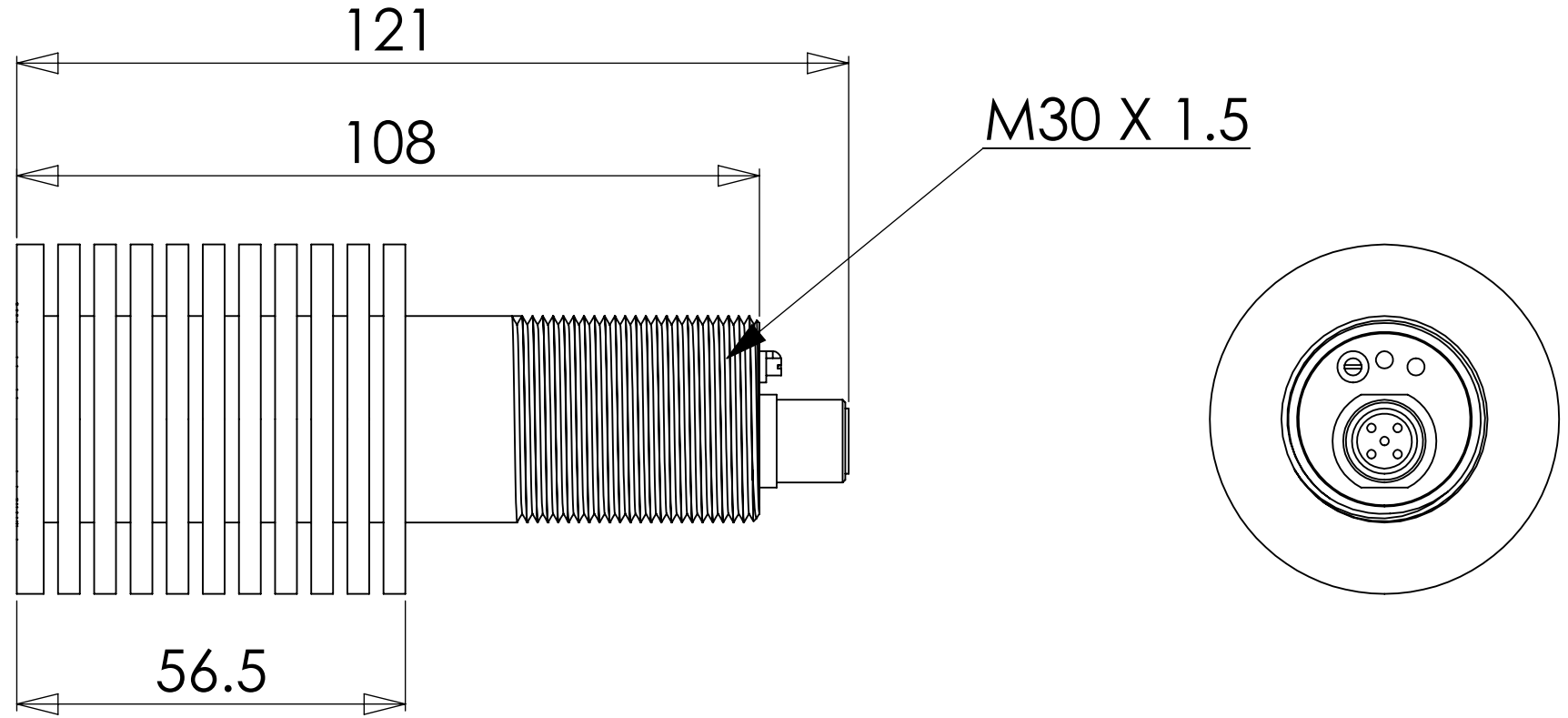
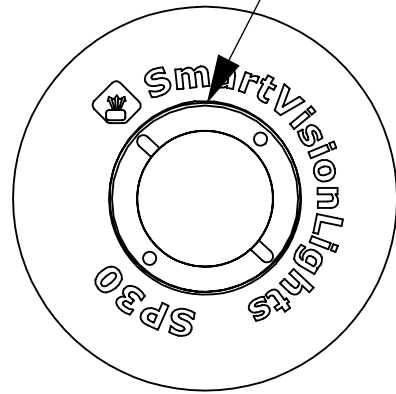


Smart Vision Lights recommends a 2/3" C-Mount lens

C MOUNT THREAD



PROPRIETARY AND CONFIDENTIAL
 THE INFORMATION CONTAINED IN THIS DRAWING IS THE SOLE PROPERTY OF SmartVisionLights. ANY REPRODUCTION IN PART OR AS A WHOLE WITHOUT THE WRITTEN PERMISSION OF SmartVisionLights IS PROHIBITED.

		UNLESS OTHERWISE SPECIFIED:		DATE	NAME	SP30-ASM Projector Light	
		DIMENSIONS ARE IN MM		DRAWN BY	10/20/2011	SmartVisionLights.Com	
		TOLERANCES:		CHECKED		matt@smartvisionlights.com	
		FRACTIONAL ±1-64		ENG APPR.			
		ANGULAR: MACH ±.25° BEND ±3°		MFG APPR.			
		TWO PLACE DECIMAL ±.10 mm		Q.A.			
		THREE PLACE DECIMAL ±.01 mm		COMMENTS:			
		INTERPRET GEOMETRIC TOLERANCING PER:					
		MATERIAL					
		FINISH					
NEXT ASSY	USED ON						
APPLICATION							
				SIZE	DWG. Name	REV	
				B	SP30-ASM		
				SCALE: 1:1		SHEET 1 OF 1	