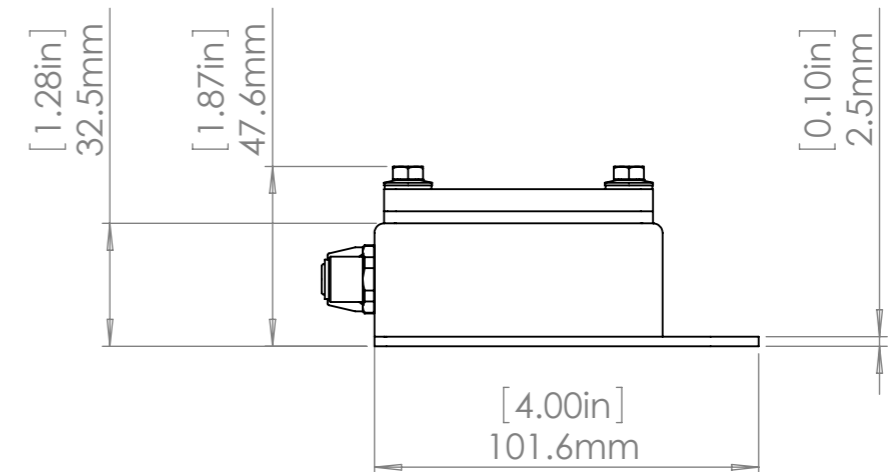


M12 Connector x 2



				UNLESS OTHERWISE SPECIFIED: DIMENSIONS ARE IN INCHES SURFACE FINISH: TOLERANCES: .000= +/- 0.005" .00= +/- 0.010"		FINISH: DEBUR AND BREAK SHARP EDGES		DO NOT SCALE DRAWING		REVISION	
				LINEAR:				SmartVisionLights.com			
				DRAWN		NAME		SIGNATURE		DATE	
				SCHUBERT						7/8/2010	
				CHK'D							
				APP'VD							
				MFG							
				Q.A							
				NOTES:		Acrylic window Silicone Gasket		matt@smartvisionlights.com		TITLE: Washdown Enclosure for L300/ODL300	
NO.		CHANGE		DATE		INIT.		MATERIAL: 316 Stainless Steel		DWG NO. LW300/ODLW300	
								WEIGHT:		SCALE: 1:2	
										SHEET 1 OF 1	

A3