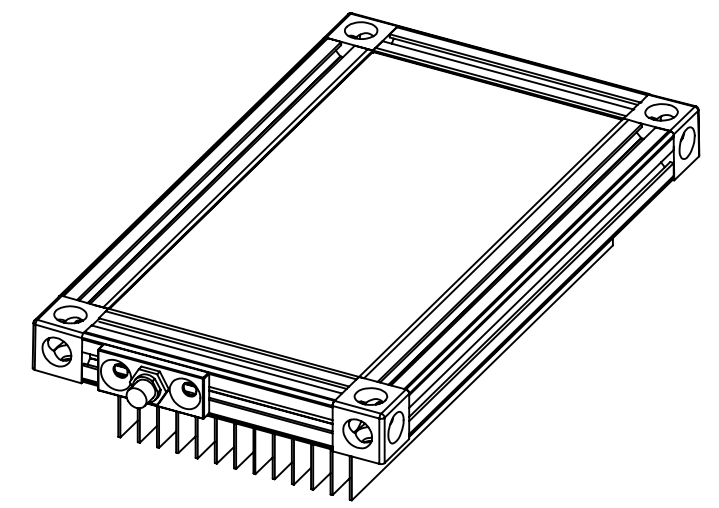
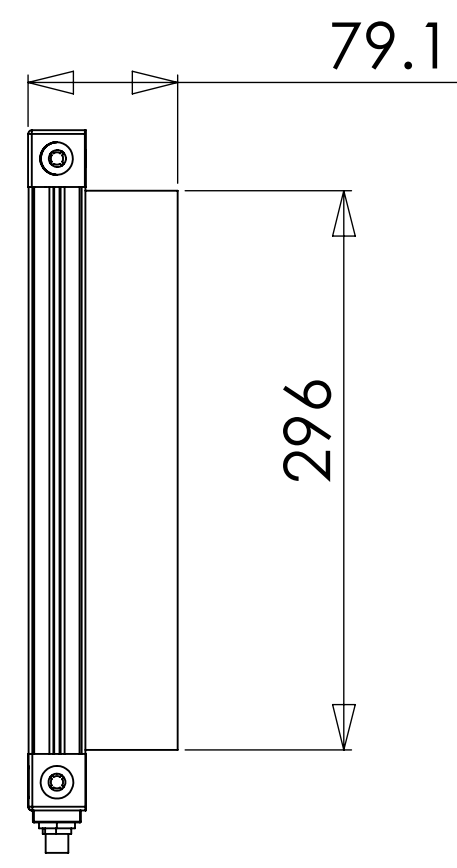
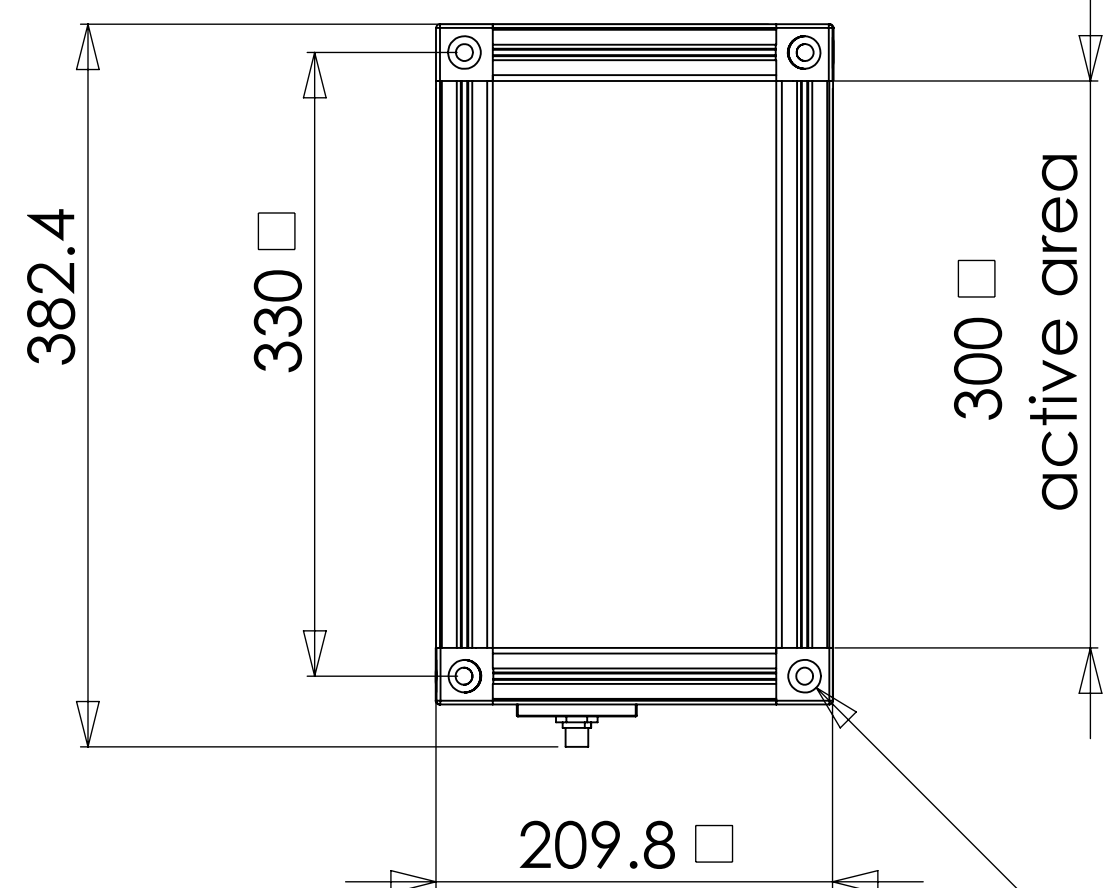
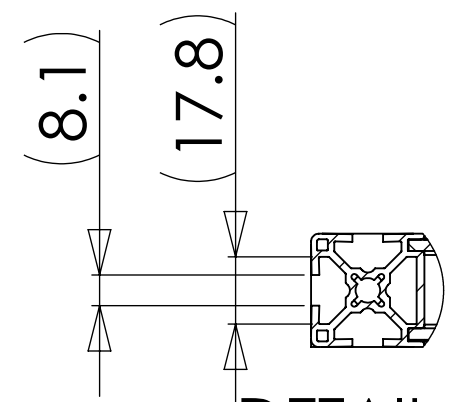
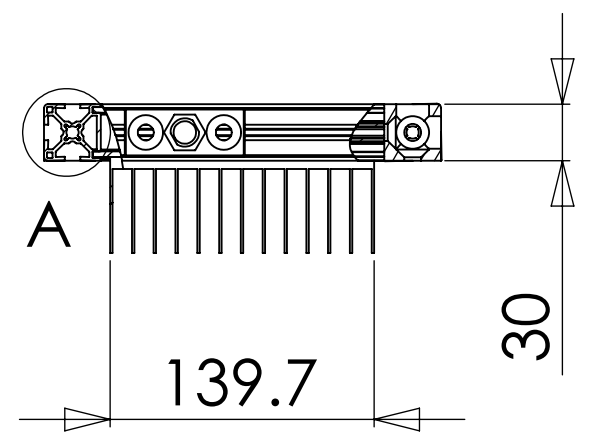


8 7 6 5 4 3 2 1

REVISIONS				
ZONE	REV.	DESCRIPTION	DATE	APPROVED



typ.  $\varnothing$  9 THRU ALL  
 $\square$   $\varnothing$  17.30  $\nabla$  24



**DETAIL A**  
**SCALE 1 : 2**

**PROPRIETARY AND CONFIDENTIAL**  
 THE INFORMATION CONTAINED IN THIS DRAWING IS THE SOLE PROPERTY OF SmartVisionLights. ANY REPRODUCTION IN PART OR AS A WHOLE WITHOUT THE WRITTEN PERMISSION OF SmartVisionLights IS PROHIBITED.

UNLESS OTHERWISE SPECIFIED:		DATE	NAME	hobl-300x150
DIMENSIONS ARE IN MM		11/11/2009		
TOLERANCES:		DRAWN BY		SmartVisionLights.Com
FRACTIONAL $\pm 1-64$		CHECKED		
ANGULAR: MACH $\pm .25^\circ$ BEND $\pm 3^\circ$		ENG APPR.		
TWO PLACE DECIMAL $\pm .10$ mm		MFG APPR.		matt@smartvisionlights.com
THREE PLACE DECIMAL $\pm .01$ mm		Q.A.		
INTERPRET GEOMETRIC TOLERANCING PER:		COMMENTS:		
MATERIAL				
FINISH				
NEXT ASSY	USED ON			SIZE <b>B</b>
APPLICATION				DWG. Name hobl-300x150
				REV
				SCALE: 1:4
				SHEET 1 OF 1