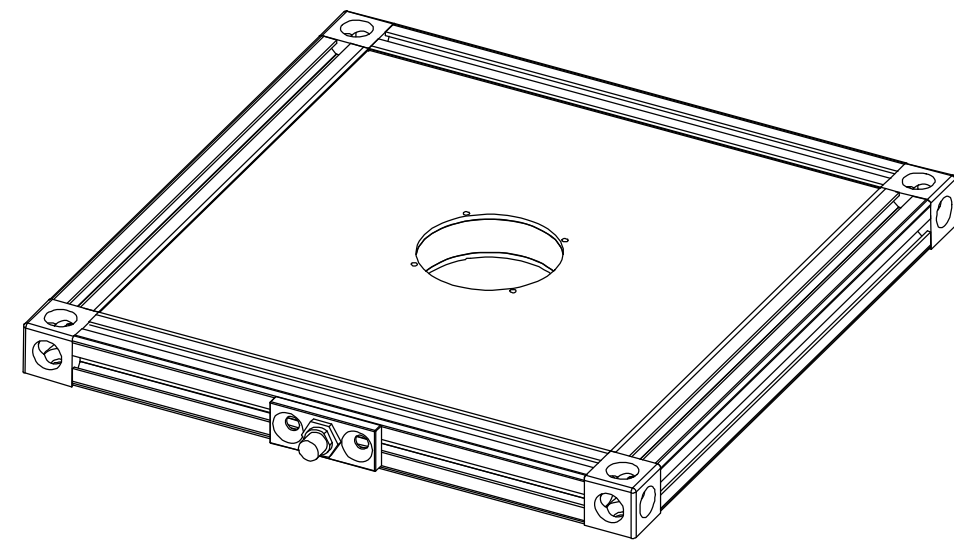
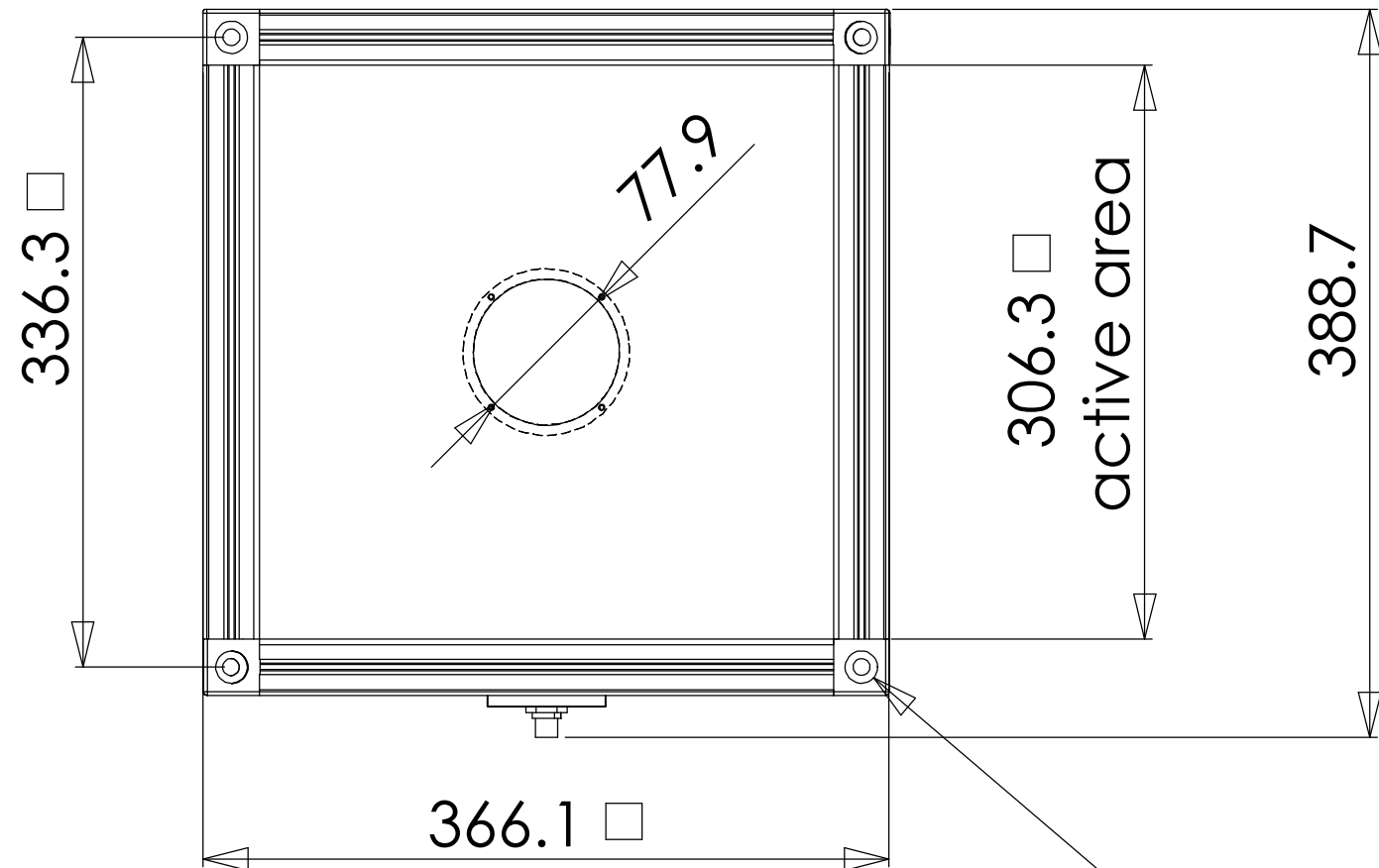
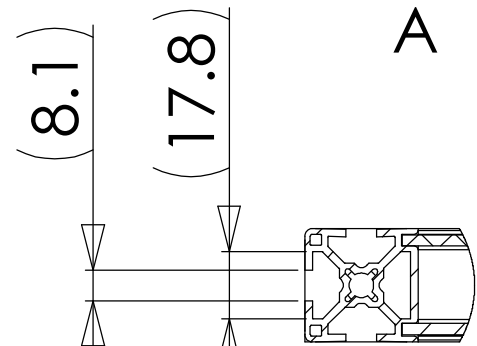
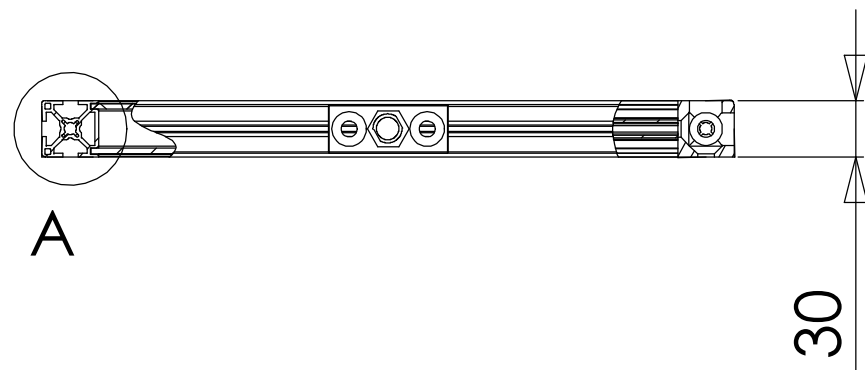


REVISIONS				
ZONE	REV.	DESCRIPTION	DATE	APPROVED



typ.  $\varnothing$  9 THRU ALL  
 $\square$   $\varnothing$  17.30  $\nabla$  24



DETAIL A  
SCALE 1 : 2

**PROPRIETARY AND CONFIDENTIAL**  
 THE INFORMATION CONTAINED IN THIS DRAWING IS THE SOLE PROPERTY OF SmartVisionLights. ANY REPRODUCTION IN PART OR AS A WHOLE WITHOUT THE WRITTEN PERMISSION OF SmartVisionLights IS PROHIBITED.

UNLESS OTHERWISE SPECIFIED:		DATE	NAME	DLP-300x300
DIMENSIONS ARE IN MM		DRAWN BY	9/28/2009	
TOLERANCES:		CHECKED		SmartVisionLights.Com
FRACTIONAL $\pm 1/64$		ENG APPR.		
ANGULAR: MACH $\pm .25^\circ$ BEND $\pm 3^\circ$		MFG APPR.		matt@smartvisionlights.com
TWO PLACE DECIMAL $\pm .10$ mm		Q.A.		
THREE PLACE DECIMAL $\pm .01$ mm		COMMENTS:		
INTERPRET GEOMETRIC TOLERANCING PER:				SIZE <b>B</b>
MATERIAL				DWG. Name DLP-300x300
NEXT ASSY	USED ON	FINISH		REV
APPLICATION				SCALE: 1:4
				SHEET 1 OF 1